

# *Cable Interface Unit for* **Yamaha FJR1300 2002~21005**

With and without ABS brakes



We have had inquires from many people who would like to purchase just our cable interface unit to enable them to fit a less expensive automotive electronic cruise control to their motorcycle. The most common of these appears to be the Audiovox CCS100. While this cruise control does not incorporate any of the electronic safety or the sophisticated self calibration features that our product does, the Cable Interface Unit (CIU) contributes a large part of the safety features of our cruise controls in preventing cable jams. It may also improve the performance of the Audiovox unit considerably due the ratio changes inside the CIU.

As a result we have decided to release our CIU for sale as a separate item. These kits incorporate all the parts that our 'normal' cruise control kits include to allow the Audiovox cruise control throttle servo cable to connect to the bikes throttle system via our CIU. This includes all fasteners (bolts, nuts etc) and any special brackets we have designed and manufactured.

This photo shows the Cable Interface Unit mounted on a FJR1300. It is located inside the left side fairing panel, behind the radiator and has a new 'carburettor' cable running from it to the fuel injection throttles.



See over the page for a parts list and drawings of all the components supplied in the CIU kit.

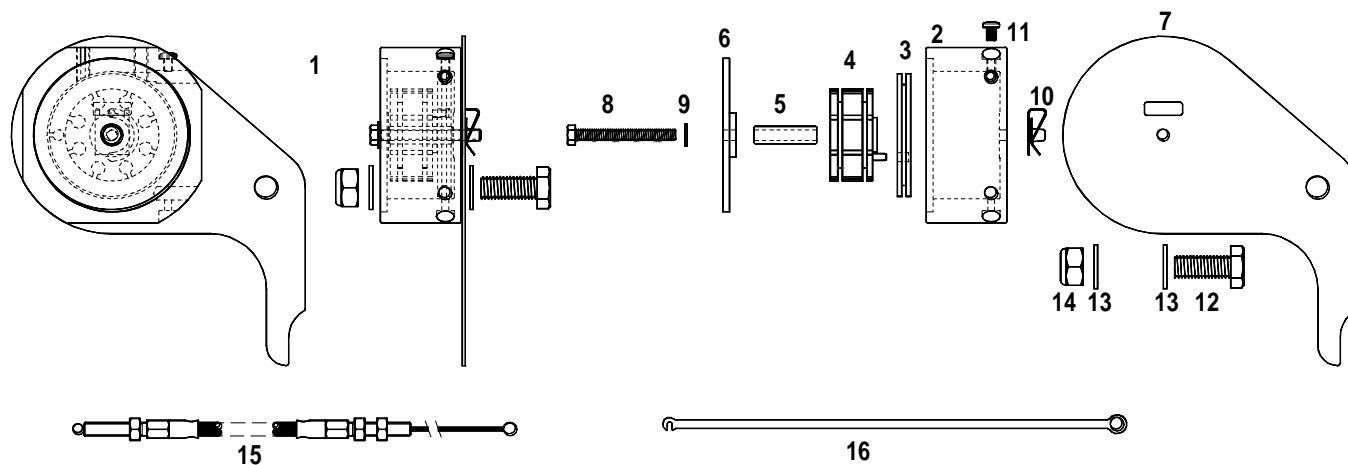
## Cable Interface Unit kit for:

**YAMAHA FJR1300 2002 to 2005, All models with and without ABS**

**Parts list for MCS CIU kit FJR1300 '02~'05**

| <u>Item</u> | <u>Qty</u> | <u>Part Number</u> | <u>Description</u>                              |
|-------------|------------|--------------------|---|
| 1           |            | <u>MCS1605</u>     | <u>Cable Interface Unit (CIU) assembly</u>      |
| 2           | 1          | MCS 1605A          | CIU housing                                     |
| 3           | 1          | MCS 003M           | Actuator spool                                  |
| 4           | 1          | MCS 1606           | Dual spool                                      |
| 5           | 1          | MCS 003H           | Bush  |
| 6           | 1          | MCS 003J           | End Cap   |
| 7           | 1          | MCS 1605B          | CIU mounting bracket                            |
| 8           | 1          |                    | M5 x 45 bolt                                    |
| 9           | 1          |                    | 5mm plated flat washer                          |
| 10          | 1          | F20029             | M5 guard clip                                   |
| 11          | 1          |                    | M4 x 6 pan head screw (actuator cable retainer) |
| 12          | 1          |                    | M10 x 25 bolt                                   |
| 13          | 2          |                    | 10mm flat washer                                |
| 14          | 1          |                    | M10 Nyloc nut                                   |
| 15          | 1          | MCSCC 420          | Carburettor cable                               |
| 16          | 2          | MCSU 430           | Throttle cable removal and installation tool    |

### Installation Instructions



*MotorCycle Setup P/L* ABN 94 798 167 654

Trading as: ***MotorCycle Cruise controls***

6 Kingston Street

Mount Waverley VIC 3149

AUSTRALIA

Web Site:

<http://www.mccruise.com>

International:

Phone (International Access Code) 61 3 9808 2804

Fax (International Access Code) 61 3 9808 2445

Australia:

Phone (03) 9808 2804

Fax (03) 9808 2445

E-mail: [mccruise@optusnet.com.au](mailto:mccruise@optusnet.com.au)